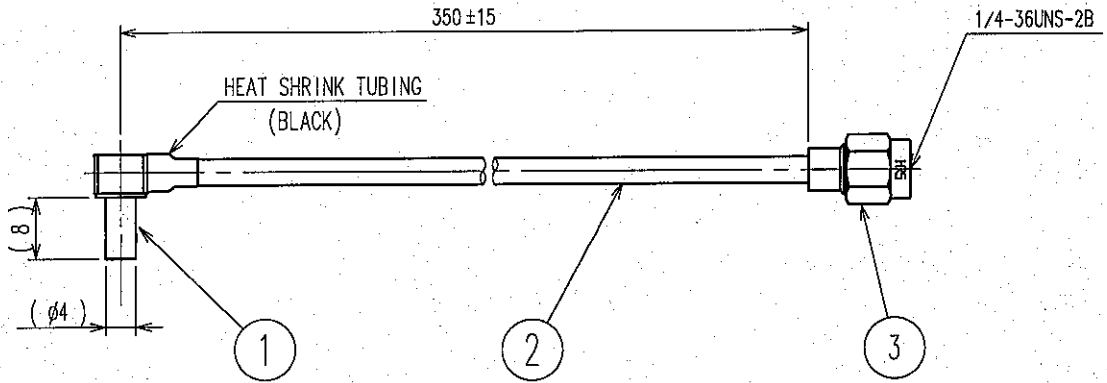




2008/01/16 08:35:50 HK. HORINO

DRAWING FOR REFERENCE: This is subject to change without notice

1					2					3					4				
COUNT	DESCRIPTION OF REVISIONS				BY	CHKD	DATE	COUNT	DESCRIPTION OF REVISIONS				BY	CHKD	DATE				
△							..	△							..				
△								△							..				
△								△							..				



NOTE 1. Lead free solder(Sn3Ag0.5Cu) is used.

2	1.5D-HQEW	FUJIKURA CO., LTD			
1	MS-162-C(LP)-1	CL358-0222-4-00	3	HRM-200-1.5WPBN-S(40)	CL323-0710-4-40
NO.	MATERIAL	FINISH, REMARKS	NO.	MATERIAL	FINISH, REMARKS
CODE NO. (OLD)			DRAWN	DESIGNED	CHECKED
			<i>Y. Matsumoto</i>	<i>Y. Matsumoto</i>	<i>R. Kawano</i>
			'07.10.18	'07.10.18	'07.10.18
					APPROVED
					<i>H. Yamamura</i>
					'07.10.19
DRAWING NO.			PART NO.		
EDC4-180729			MS162L1-HRMP-15W350		
UNITS			CODE NO.		
mm			CL362-0138-9		
HRS HIROSE ELECTRIC CO., LTD.			1/1		

TO
RFD